

Key Features

- Economical Ignition module for engines from 1 to 12 cylinders
- Delivers up to 3,000 microseconds of continuous spark duration
- Inductive Ignition Technology
- On-board visible 3-LED status indicator
- Windows based Software - Easy to Use
- Assists with Emissions Reduction - Better Combustion



The GS12 is a feature-packed module that delivers up to 3,000 microseconds of continuous spark duration using inductive ignition technology.

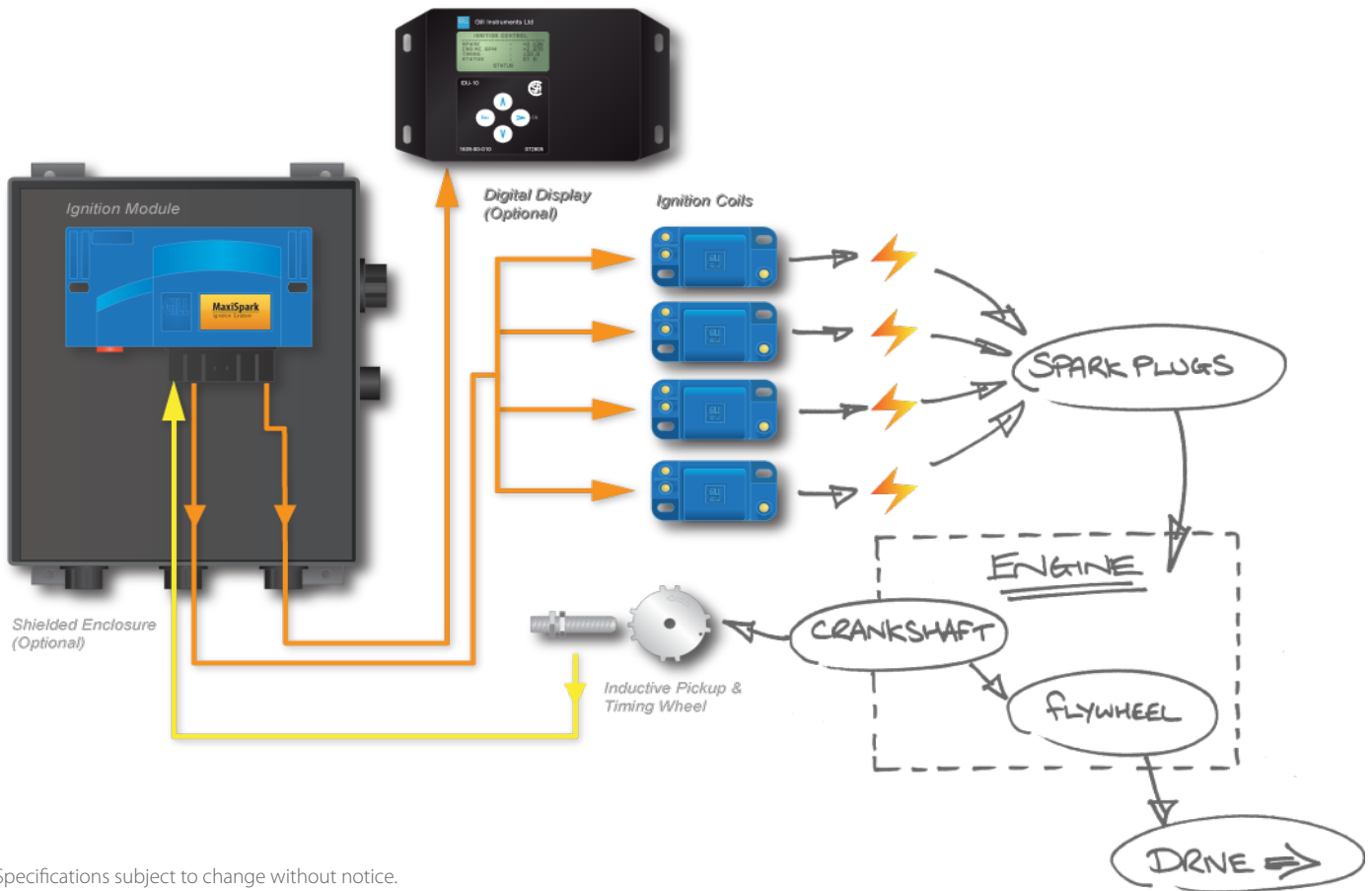
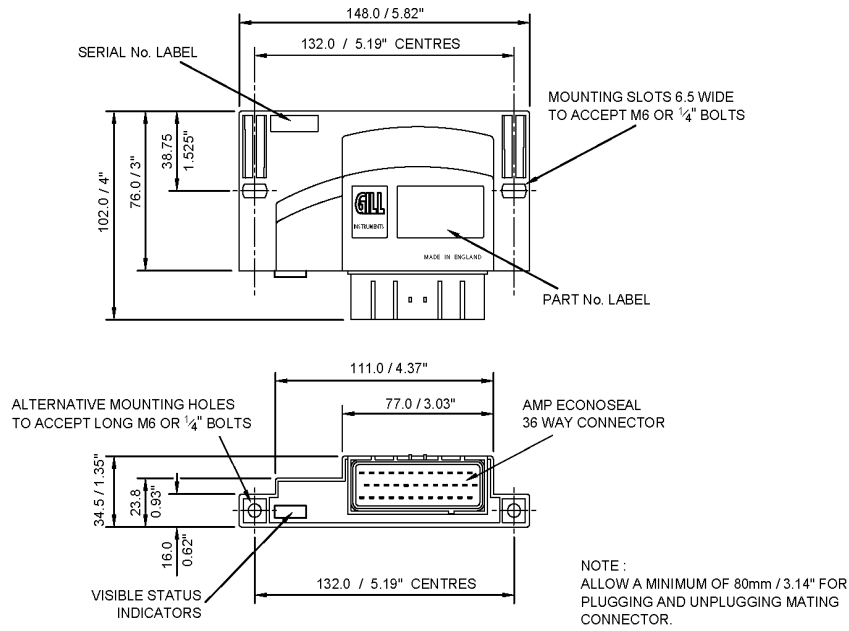
GS12 is a robust, solid-state electronic module that provides highly accurate and extremely powerful inductive ignition, which when tailored with the Gill range of ignition coils, produces spark durations well in excess of any CDI ignition system.

Timing can be adjusted globally, by individual cylinder or with a set of five load-input maps that are easy to set up and customise using the Windows®-based software



GS12 SPECIFICATION

Number of Cylinders	1-12
Power	12/ 24 VDC, 5 Amp
Spark Energy / Duration	500 to 3,000 µSeconds
Maximum RPM	4,000 RPM
Timing	Global, Individual Cylinder, Dual Fuel
Timing Maps	2D - speed and timing or 3D - speed, timing and load with 5 maps
Trigger Methods	Single pickup, existing OEM Disc and Pickup, A3 or A5 conversion kit, GM® Distributor Timing Kit, Drilled Flywheel Pattern for wasted spark on 4 stroke, or for 2 stroke engines
Software	Windows® Based - available in multi-level security versions - basic to advanced
Programming	File set-up, save, send, store. Configuration files can be saved, or emailed
Logging	Verification and troubleshooting - Files can be emailed for additional review by support staff
Communications	RS 232, DB 9 female connection
Features	Tach output signal, shutdown ground, fuel valve sequencing
Visual Features	3 On board LED lights that confirm proper operation
Application	All horsepower and engine sizes - Low Speed or High Speed, up to 2 Coils per cylinder
Environmental	-40°C to +90°C sealed to IP67



Specifications subject to change without notice.

GILL

Gill Sensors & Controls Limited

Unit 600 Ampress Park
Lymington, Hampshire SO41 8LW
United Kingdom

Tel: +44 (0) 1590 613 900
Fax: +44 (0) 1590 613 526
info@gillsc.com



www.gillsc.com

CDXXXX - Iss X

Copyright © Gill Sensors & Controls Limited 2016

Gill Research & Development Limited, Reg No. 3154453
Registered Office: The George Business Centre, Christchurch Road, New Milton, BH25 6QJ