

Pickups & Trigger Drives



Trigger Devices

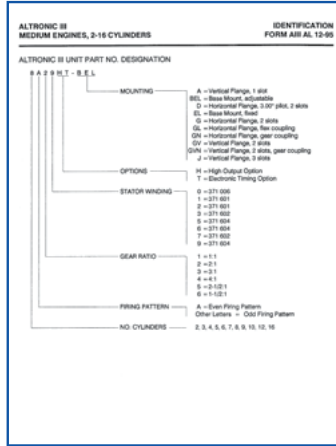
For applications where a trigger disc cannot be mounted due to difficult camshaft access, a trigger device is available. This unit is mounted at the location where the ignition magneto was installed. A built in trigger disc will sense the events necessary to trigger the ignition control unit. One (1) to a maximum of eight (8) trigger events are possible.

This covers most of the engines up to 16 cylinders operated in the field today. A proper mounting flange can be selected from a variety of flange designs typically used in the industry. Heavy duty bearings and a smart product design offer a long operating life cycle.

Specification Table

Before trying to specify the correct trigger device, please make available the ignition magneto part number. For details you might even want to look up the **ALTRONIC®** application chart. That information will lead you to the MOTORTECH TriDev part number.

If any help is required, please call your nearest MOTORTECH sales partner.



Refer to **ALTRONIC III Application List – Chapter Identification –** and choose **Gear Ratio** from **Part Number Designation** of former used magneto.

ENGINE / MODEL NO.	DRIVE METHOD	ROTA-TION	ALTRONIC III UNIT NO.	WIRING ADDRESS	QTY. PICKUP	QTY. ROTOR
CATERPILLAR	1.101-1	CCW	3458A-1	380-202-2	6	5,3,1
1.101-2	CCW	3458A-2	380-202-2	6	5,3,1	
1.101-3	CCW	3458A-3	380-202-2	6	5,3,1	
1.101-4	CCW	3458A-4	380-202-2	6	5,3,1	
1.101-5	CCW	3458A-5	380-202-2	6	5,3,1	
1.101-6	CCW	3458A-6	380-202-2	6	5,3,1	
1.101-7	CCW	3458A-7	380-202-2	6	5,3,1	
1.101-8	CCW	3458A-8	380-202-2	6	5,3,1	
1.101-9	CCW	3458A-9	380-202-2	6	5,3,1	
1.101-10	CCW	3458A-10	380-202-2	6	5,3,1	
1.101-11	CCW	3458A-11	380-202-2	6	5,3,1	
1.101-12	CCW	3458A-12	380-202-2	6	5,3,1	
1.101-13	CCW	3458A-13	380-202-2	6	5,3,1	
1.101-14	CCW	3458A-14	380-202-2	6	5,3,1	
1.101-15	CCW	3458A-15	380-202-2	6	5,3,1	
1.101-16	CCW	3458A-16	380-202-2	6	5,3,1	
1.101-17	CCW	3458A-17	380-202-2	6	5,3,1	
1.101-18	CCW	3458A-18	380-202-2	6	5,3,1	
1.101-19	CCW	3458A-19	380-202-2	6	5,3,1	
1.101-20	CCW	3458A-20	380-202-2	6	5,3,1	
1.101-21	CCW	3458A-21	380-202-2	6	5,3,1	
1.101-22	CCW	3458A-22	380-202-2	6	5,3,1	
1.101-23	CCW	3458A-23	380-202-2	6	5,3,1	
1.101-24	CCW	3458A-24	380-202-2	6	5,3,1	
1.101-25	CCW	3458A-25	380-202-2	6	5,3,1	
1.101-26	CCW	3458A-26	380-202-2	6	5,3,1	
1.101-27	CCW	3458A-27	380-202-2	6	5,3,1	
1.101-28	CCW	3458A-28	380-202-2	6	5,3,1	
1.101-29	CCW	3458A-29	380-202-2	6	5,3,1	
1.101-30	CCW	3458A-30	380-202-2	6	5,3,1	
1.101-31	CCW	3458A-31	380-202-2	6	5,3,1	
1.101-32	CCW	3458A-32	380-202-2	6	5,3,1	
1.101-33	CCW	3458A-33	380-202-2	6	5,3,1	
1.101-34	CCW	3458A-34	380-202-2	6	5,3,1	
1.101-35	CCW	3458A-35	380-202-2	6	5,3,1	
1.101-36	CCW	3458A-36	380-202-2	6	5,3,1	
1.101-37	CCW	3458A-37	380-202-2	6	5,3,1	
1.101-38	CCW	3458A-38	380-202-2	6	5,3,1	
1.101-39	CCW	3458A-39	380-202-2	6	5,3,1	
1.101-40	CCW	3458A-40	380-202-2	6	5,3,1	
1.101-41	CCW	3458A-41	380-202-2	6	5,3,1	
1.101-42	CCW	3458A-42	380-202-2	6	5,3,1	
1.101-43	CCW	3458A-43	380-202-2	6	5,3,1	
1.101-44	CCW	3458A-44	380-202-2	6	5,3,1	
1.101-45	CCW	3458A-45	380-202-2	6	5,3,1	
1.101-46	CCW	3458A-46	380-202-2	6	5,3,1	
1.101-47	CCW	3458A-47	380-202-2	6	5,3,1	
1.101-48	CCW	3458A-48	380-202-2	6	5,3,1	
1.101-49	CCW	3458A-49	380-202-2	6	5,3,1	
1.101-50	CCW	3458A-50	380-202-2	6	5,3,1	

Refer to **ALTRONIC III Application List** and choose **Rotation** of your engine make and model from the list.

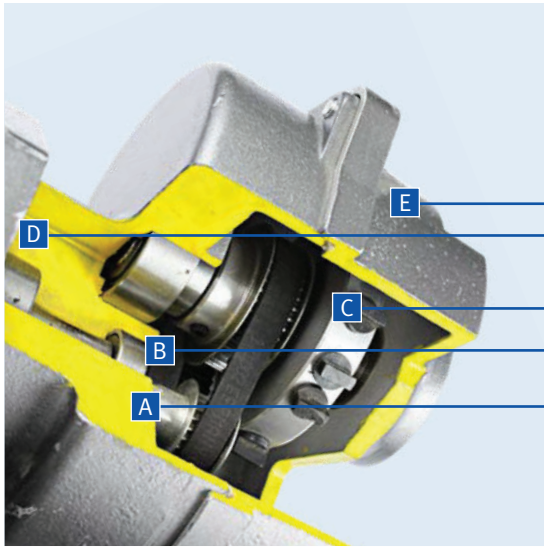
Selection **1 to 8** for use with inductive pickups only. Requires - **E** - **Pickup Port Arrangement A**. Selection **9** for use with Hall effect pickups only. Requires - **E** - **Pickup Port Arrangement F**.



Refer to **ALTRONIC III Application List - Chapter Identification -** and choose Flange option from Part Number Designation of former used magneto.

Selection **A** to be used for - **C** - **Trigger Arrangement 1 to 8** only. Selection **F** to be used for - **C** - **Trigger Arrangement 9** only.

Pickups & Trigger Drives



P/N 06.22. A B C - D - E

A	Gear Ratio		
1	1:1		
2	2:1		
3	3:1		
6	1.5:1		
B	Rotation		
1	CW (clockwise)		
2	CCW (counterclockwise)		
C	Trigger Arrangement		
1	1	Pin	Multiple pickup arrangement
2	2+1	Pins	Single pickup arrangement
3	3+1	Pins	Single pickup arrangement
4	4+1	Pins	Single pickup arrangement
6	6+1	Pins	Single pickup arrangement
8	8+1	Pins	Single pickup arrangement
9	1	Magnet	Multiple pickup arrangement
D	Flange		
A	Flange mount, vertical, 1 slot		
B	Base mount		
D	Flange mount, horizontal, 3 in. pilot, 2 slots		
G	Flange mount, horizontal, 2 slots		
GL	Flange mount, horizontal, flex coupling		
GN	Flange mount, horizontal, gear coupling		
GO	Flange mount, horizontal, 2 slots		
GV	Flange mount, vertical, 2 slots		
GVN	Flange mount, vertical, gear coupling		
J	Flange mount, vertical, 3 slots		
E	Pickup Port Arrangement		
A	M12 x 1	Pickup port for inductive pickup	
F	5/8-18 UNF	Pickup port for Hall effect pickup	

NOTE: Pickup and pickup lead have to be ordered separately.